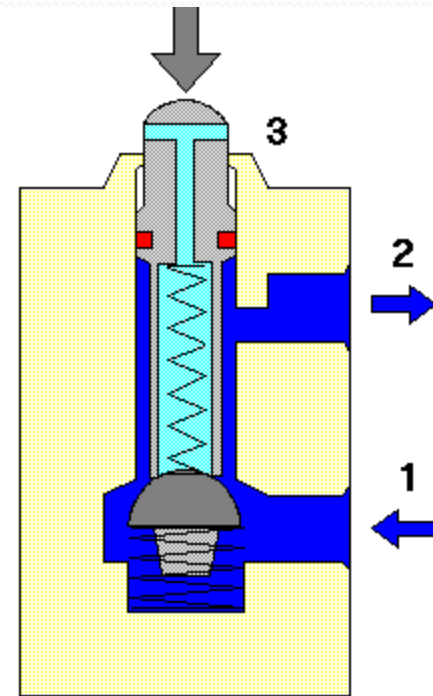
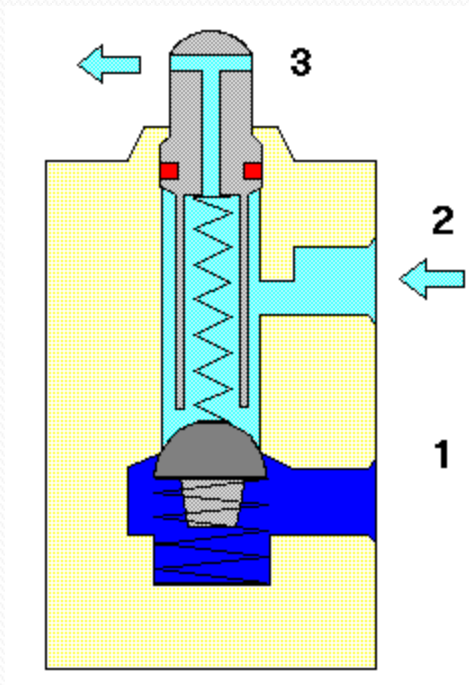
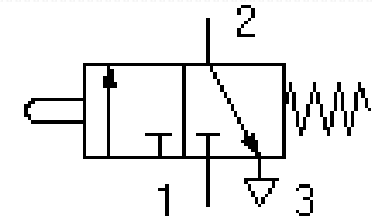


SIMBOL & MEKANISME KOMPONEN PNEUMATIK (2)

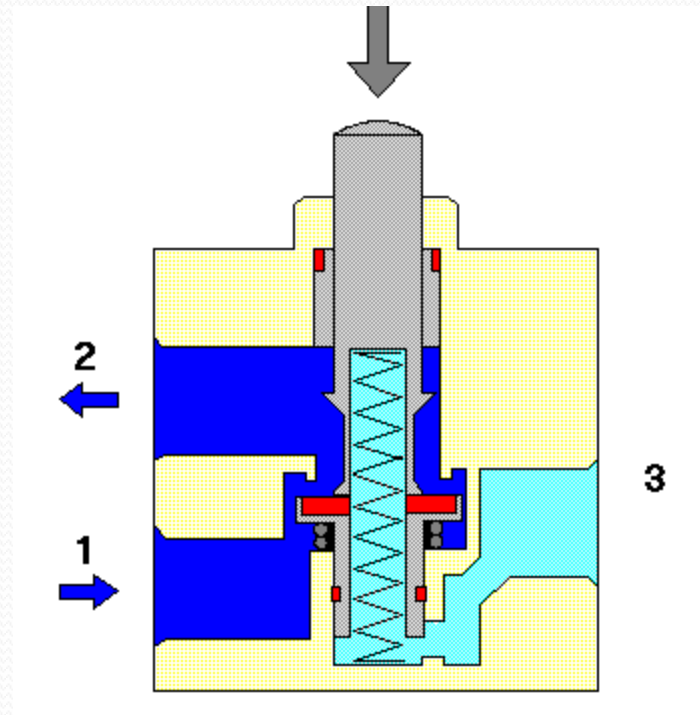
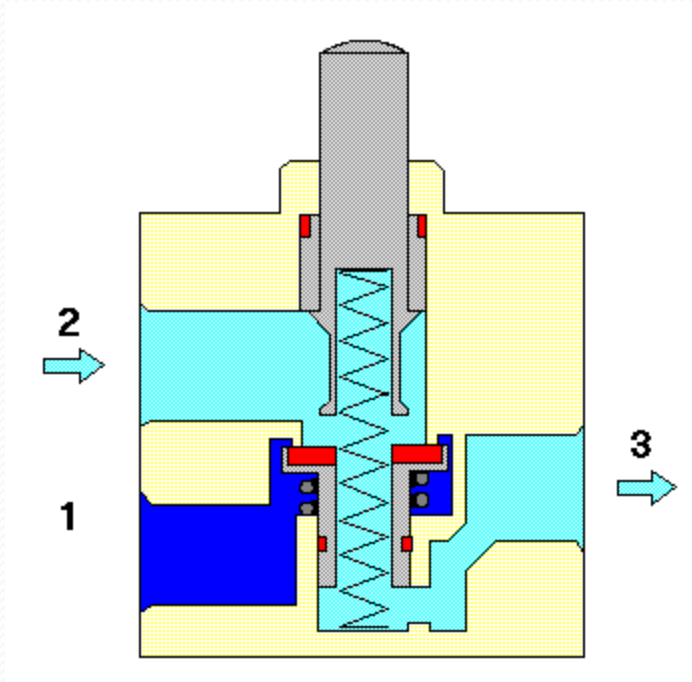
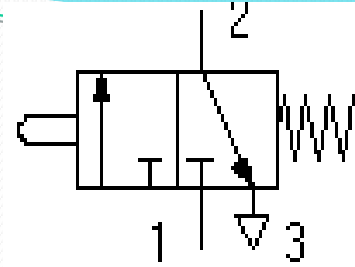
PURNAWAN

Component Mechanism (Valve)

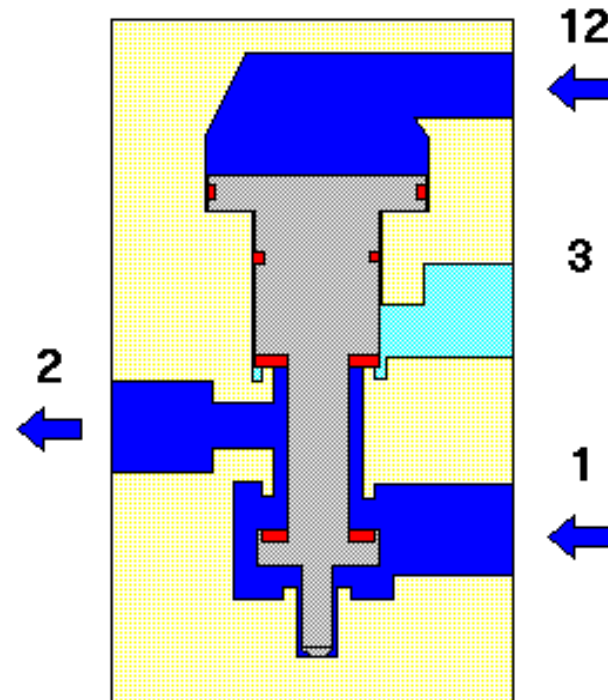
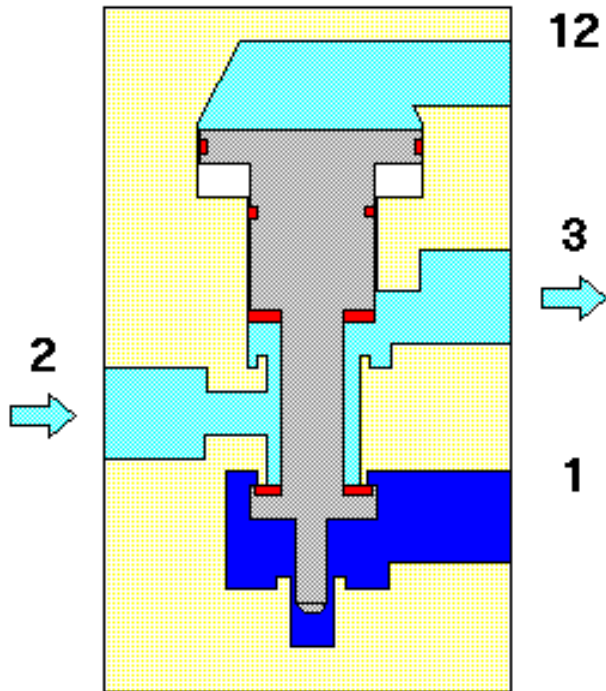
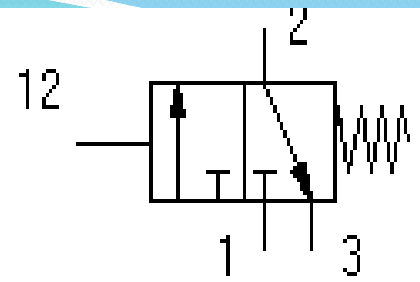
DCV 3/2 NC G-SR



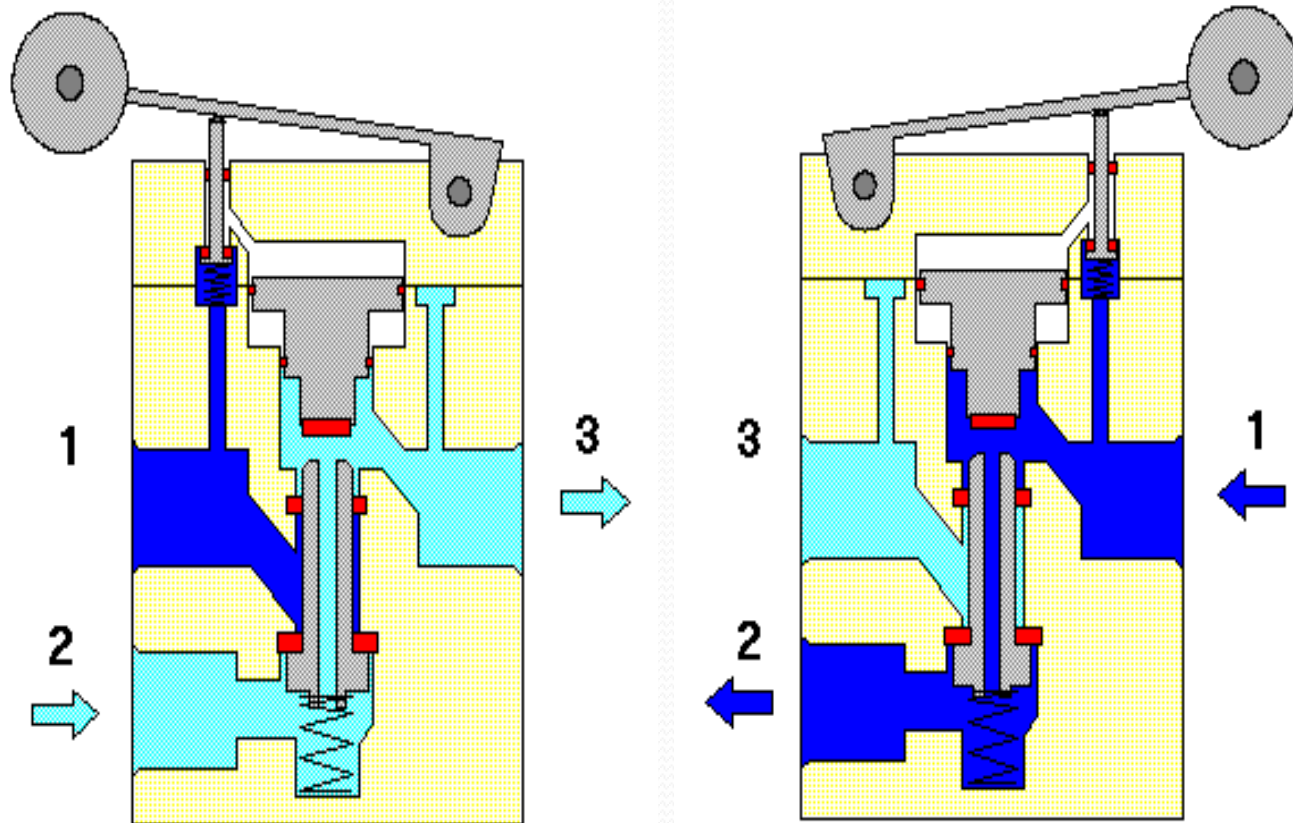
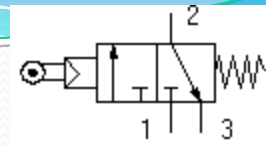
DCV 3/2 NC G-SR



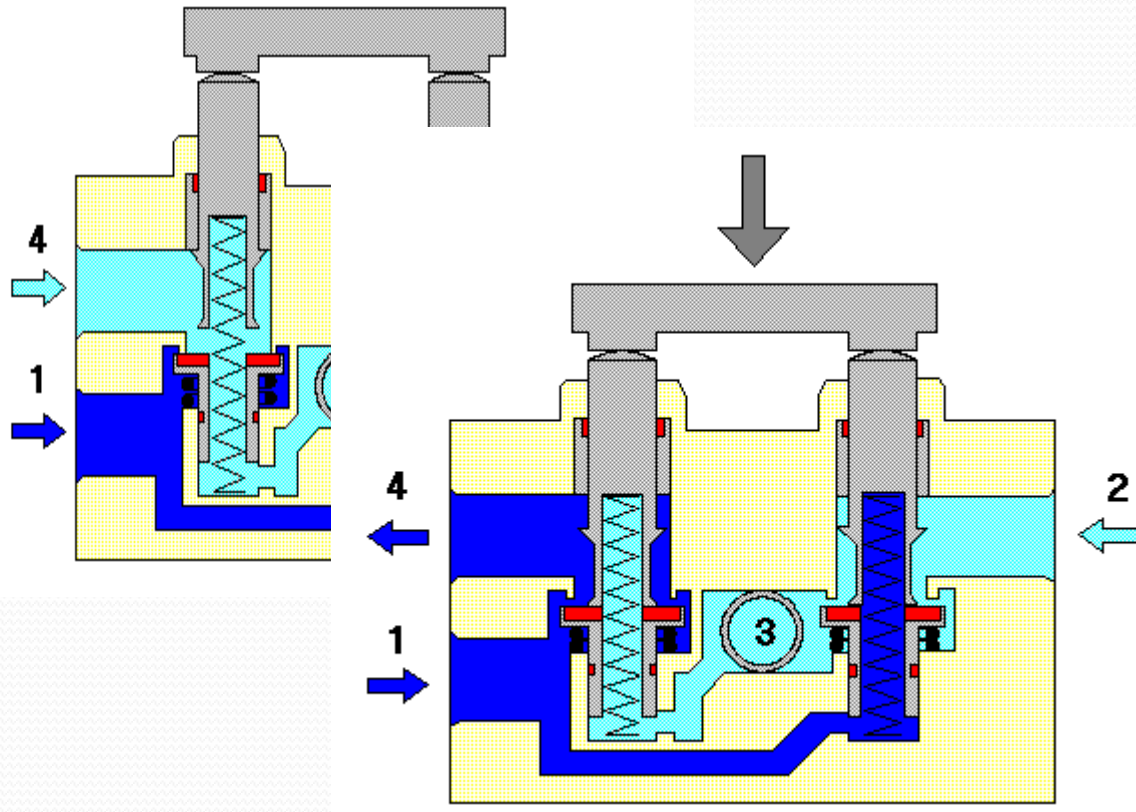
DCV 3/2 NC P-SR



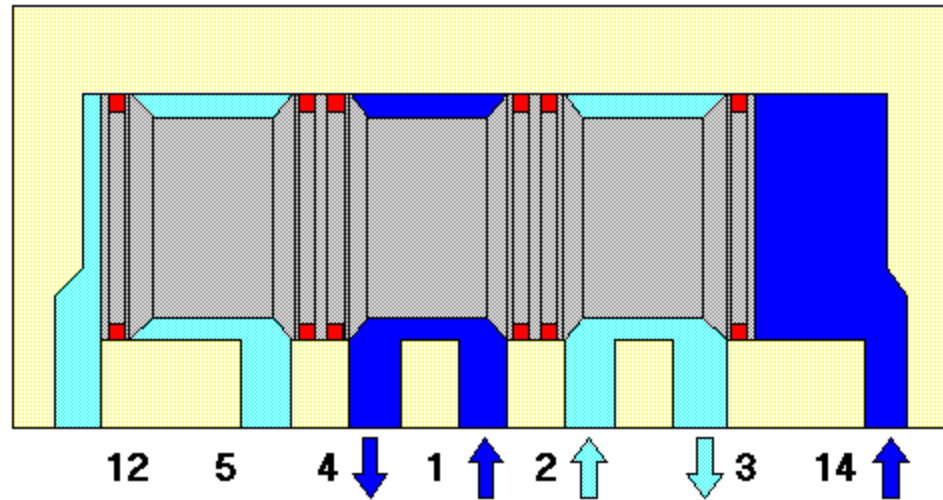
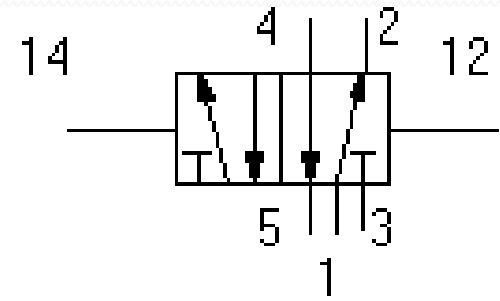
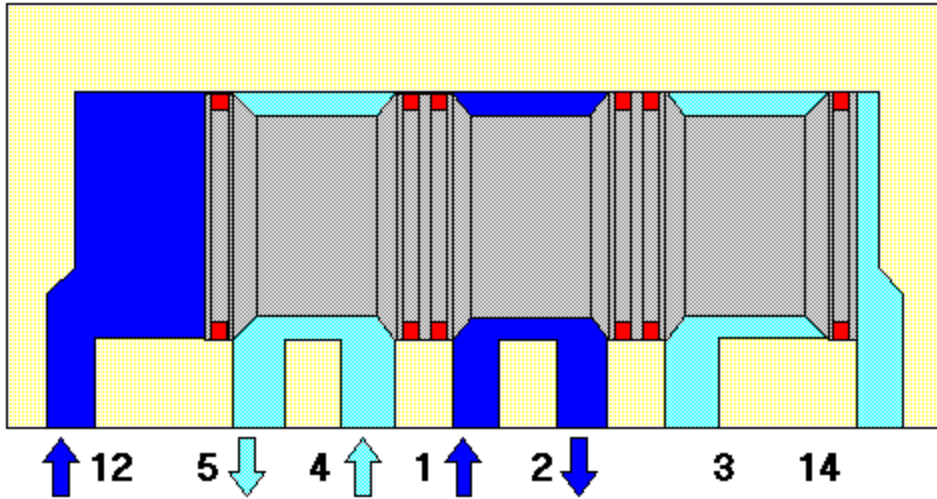
DCV 3/2 NC R/IP-SR



DCV 4/2 DG-SR



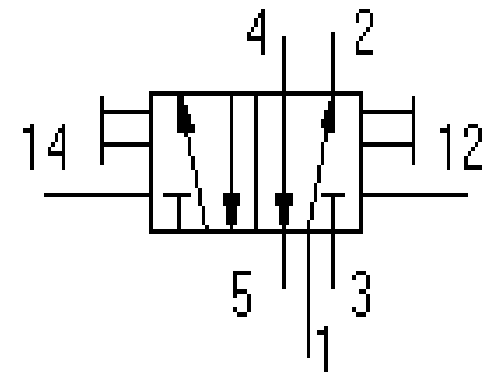
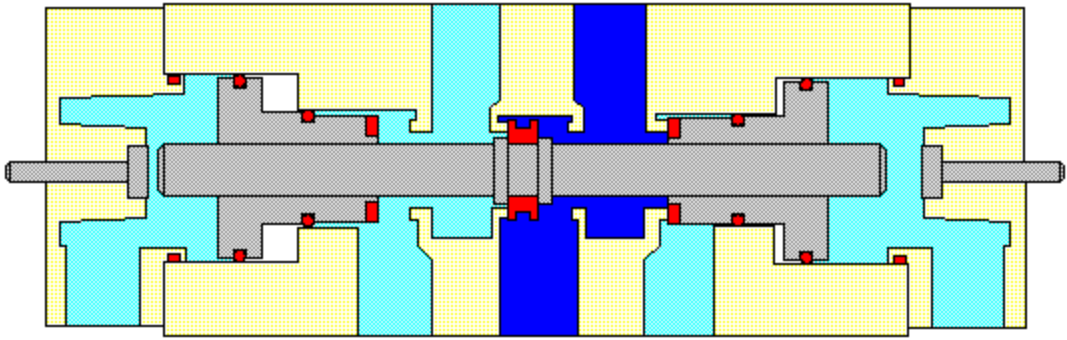
DOVE / 2 DD



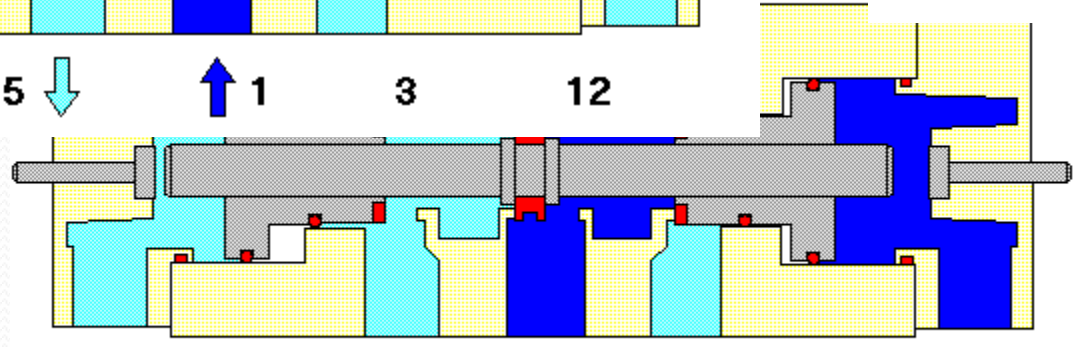
DOVE / 2 DD / DM

4 ↓ ↑ 2

5 | 3

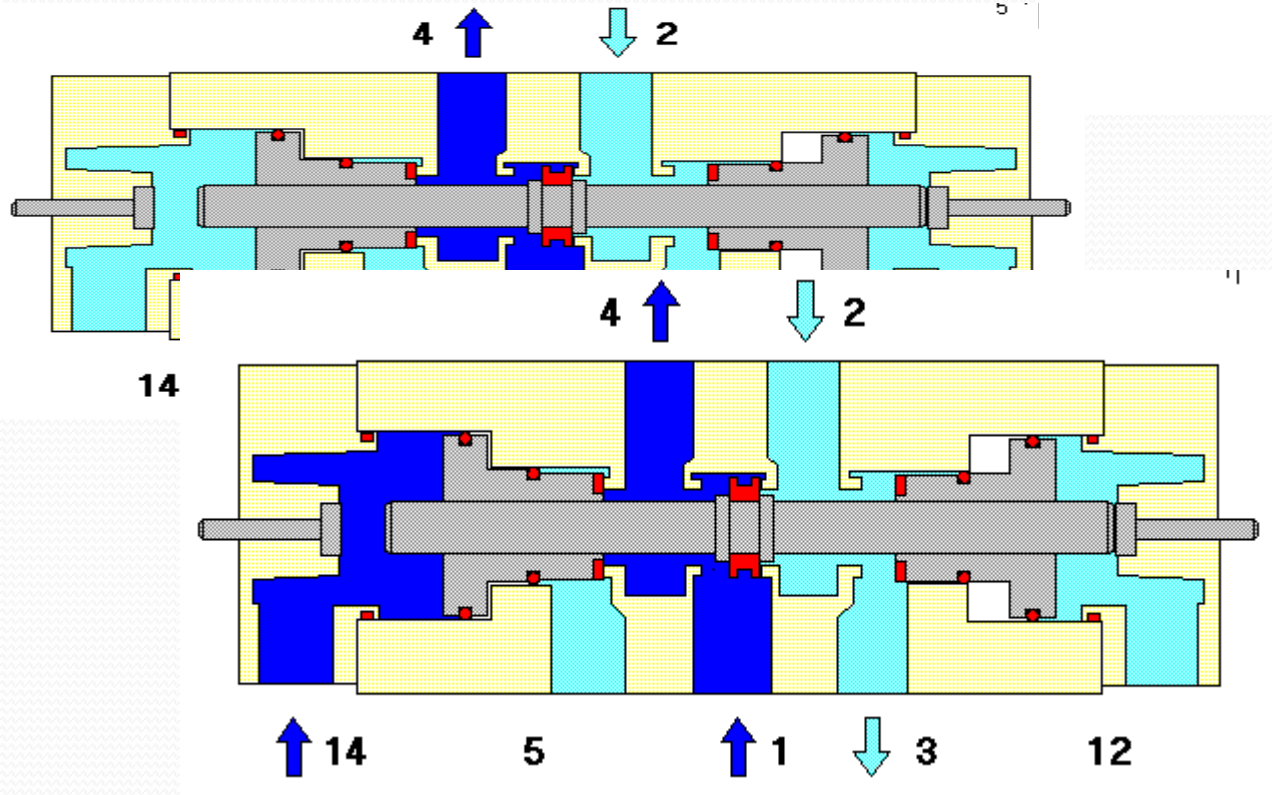
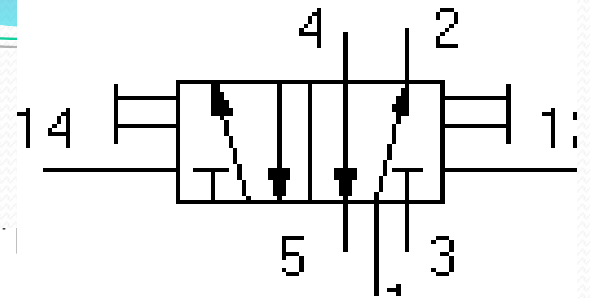


14 5 ↓ ↑ 1 3 12

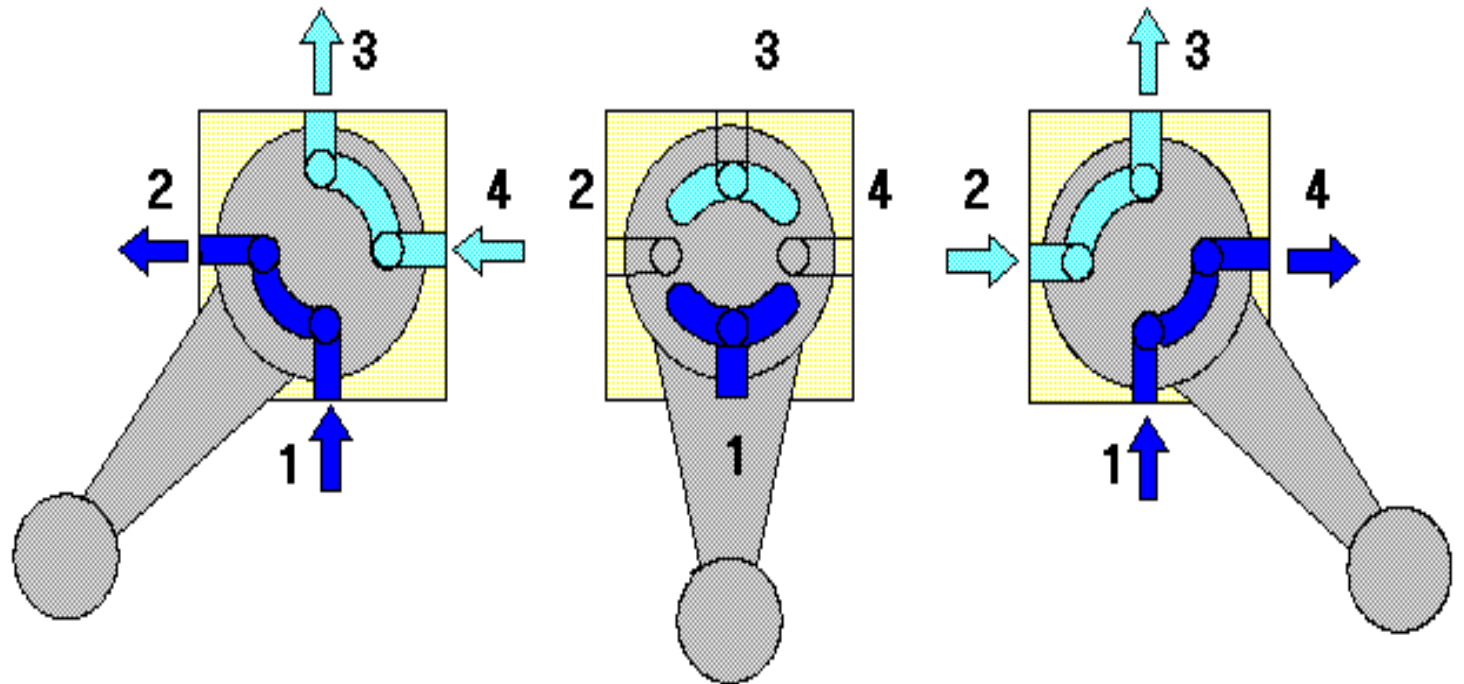


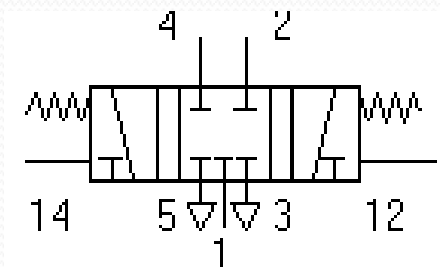
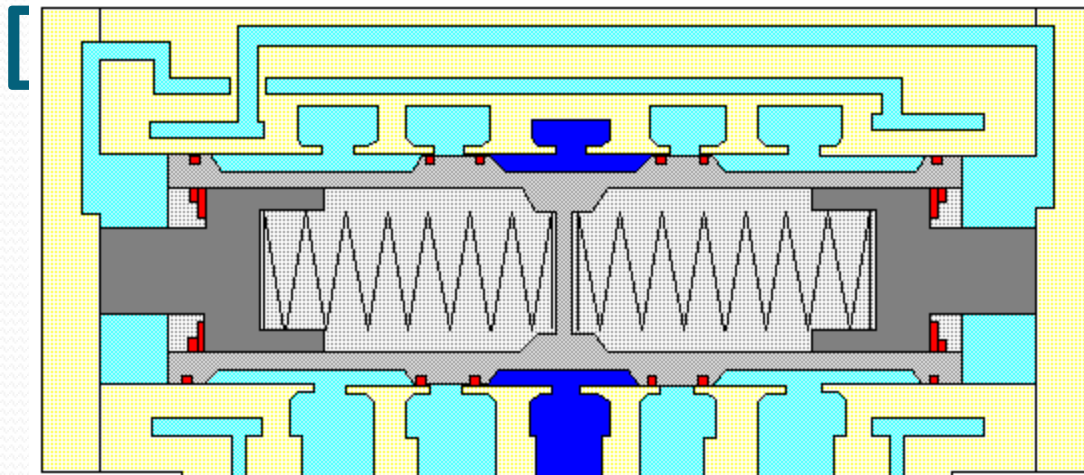
14 5 ↓ ↑ 1 3 12 ↑

DCV 5/2 DP/DM

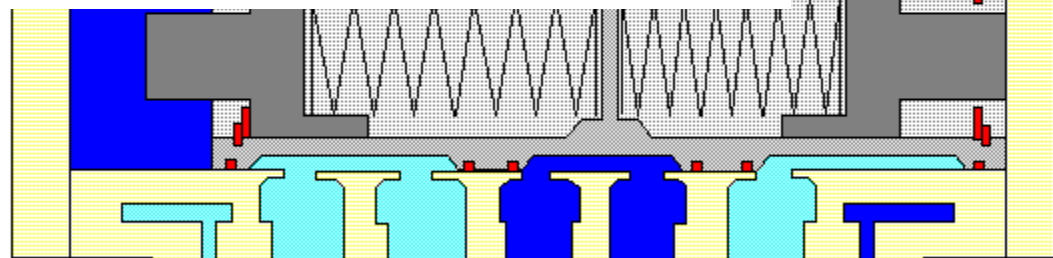


DCV 1/2 1 1





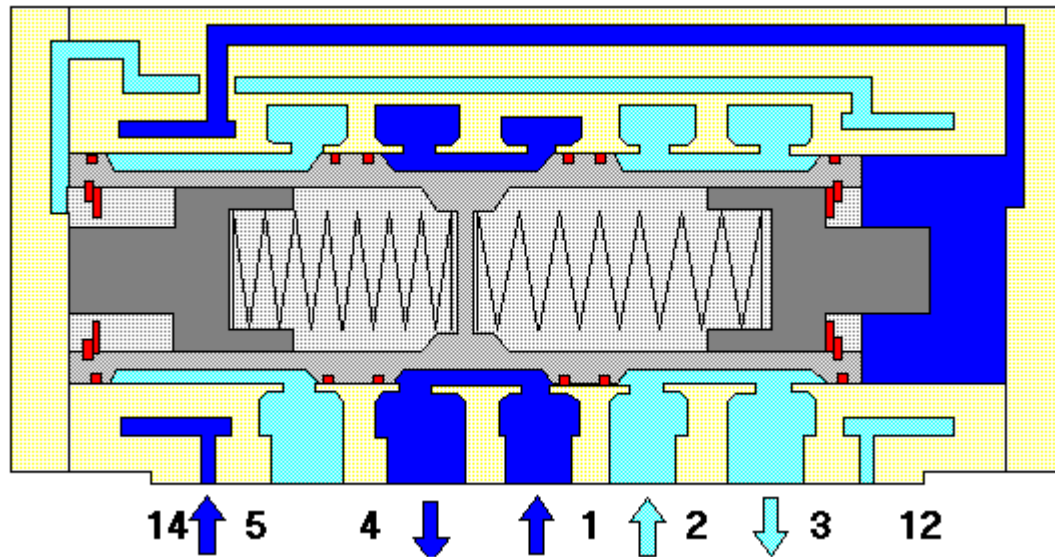
14 5 4 1 2 3 12



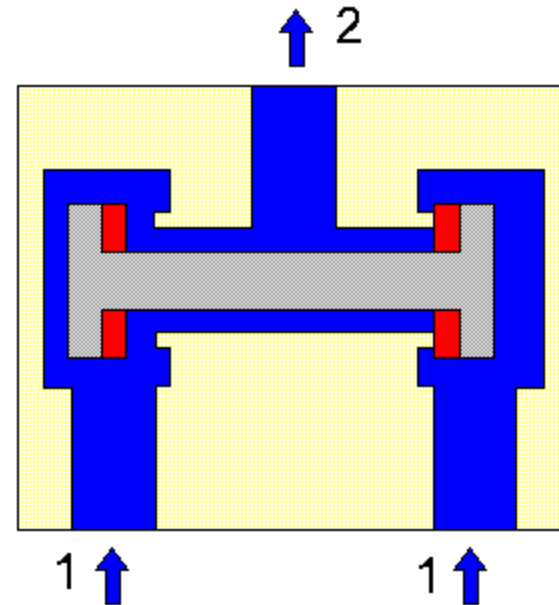
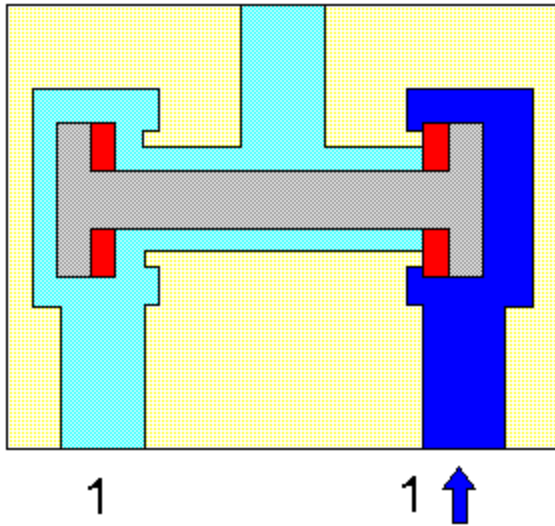
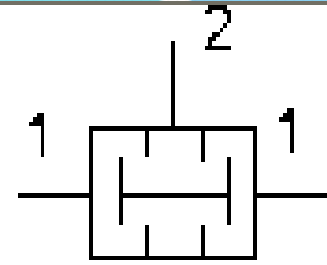
14 5 ↓ 4 ↑ 3 ↑ 12

↑ 1 ↓ 2

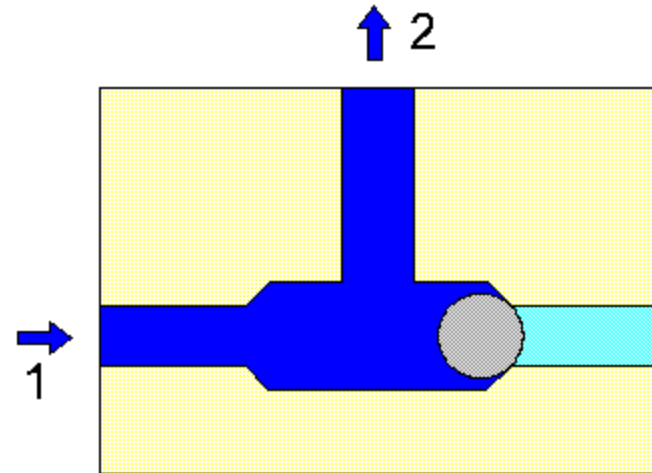
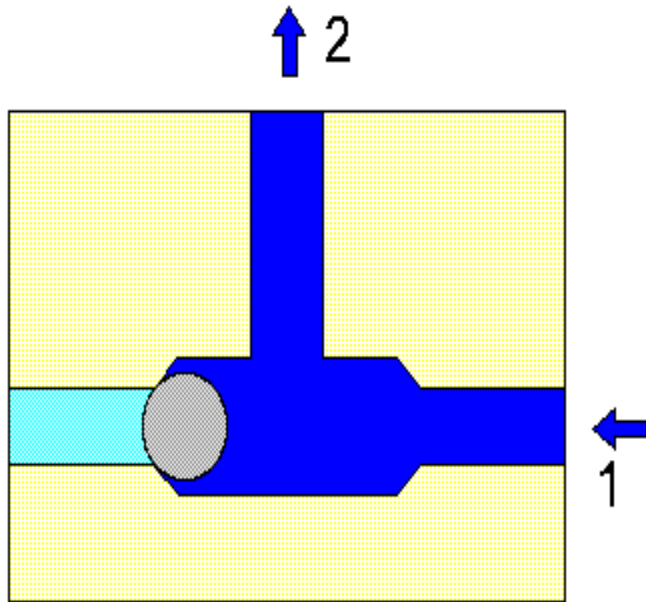
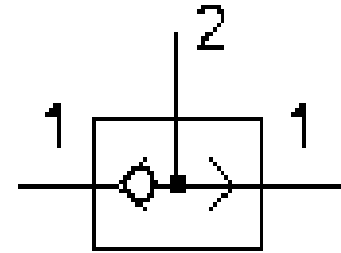
DCV 5/3 DP/DS



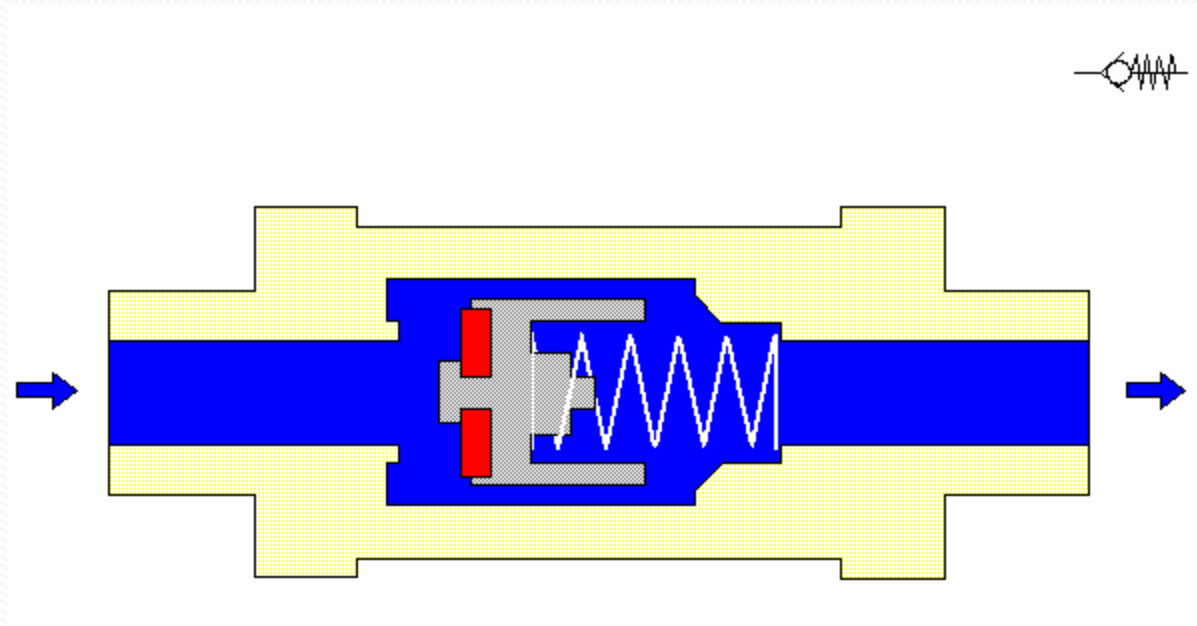
AND Valve



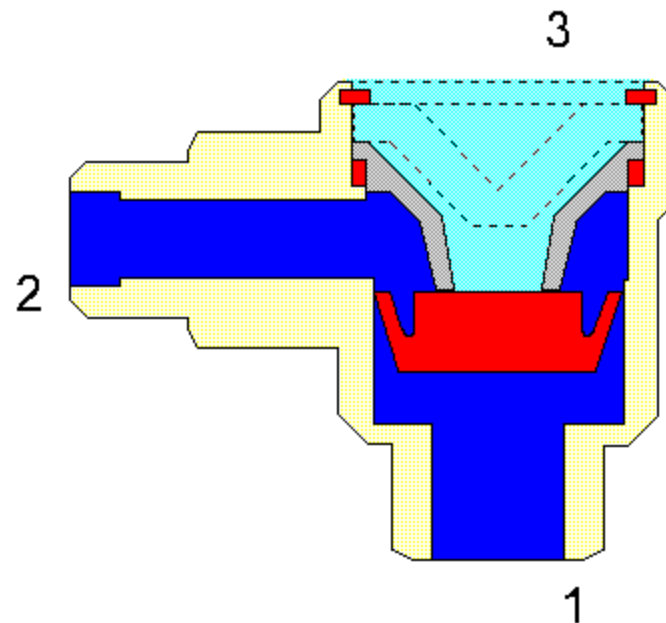
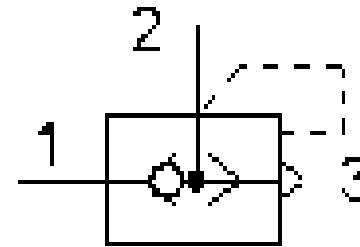
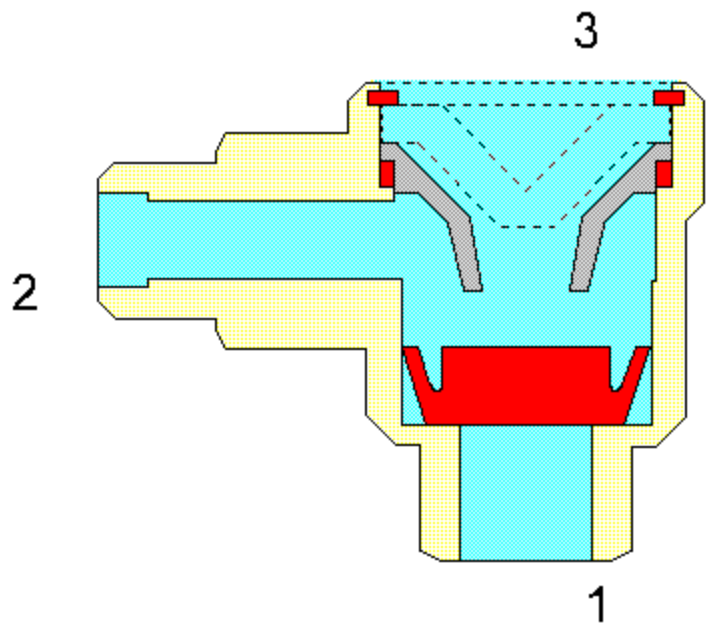
OR Valve



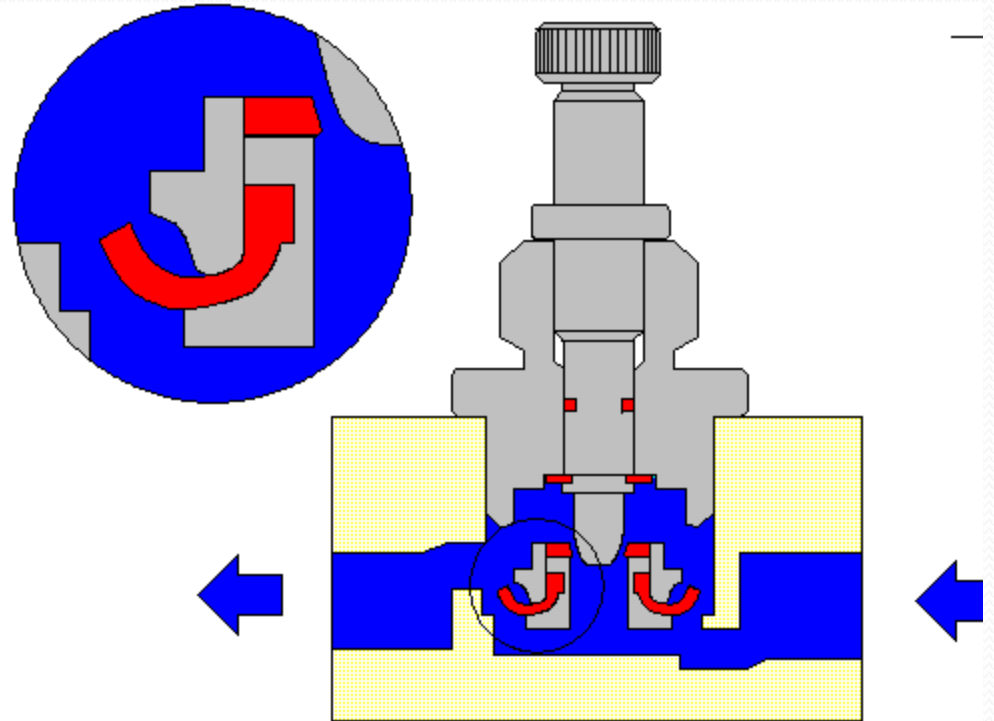
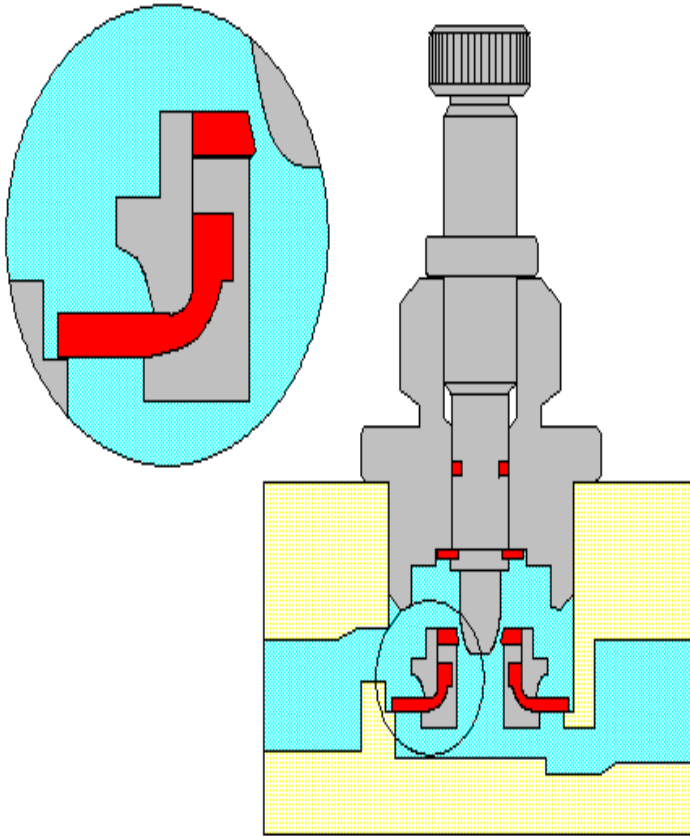
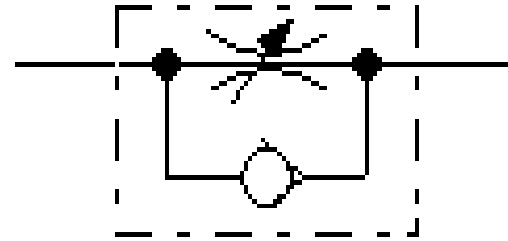
Check Valve



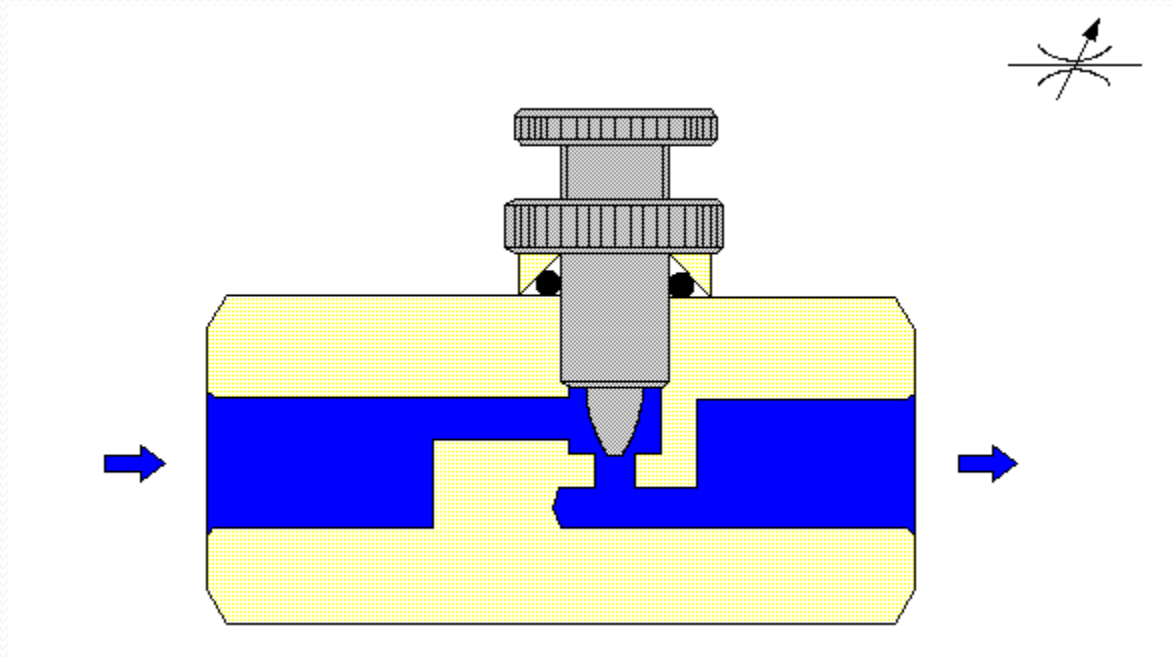
Quick Exhaust Valve^o



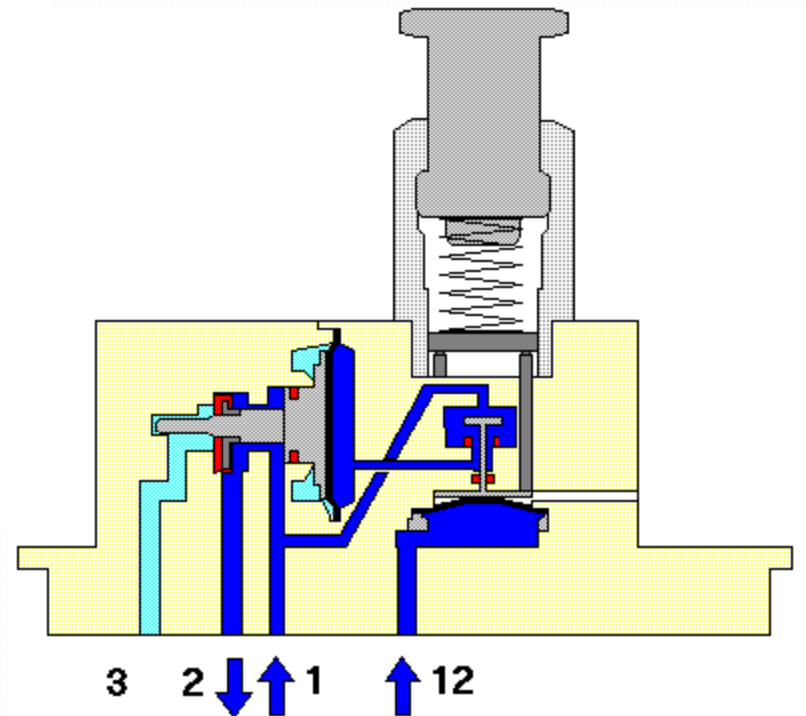
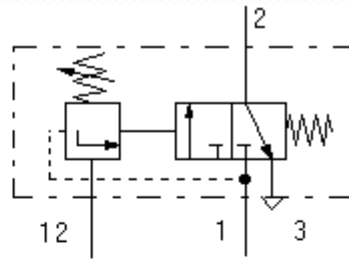
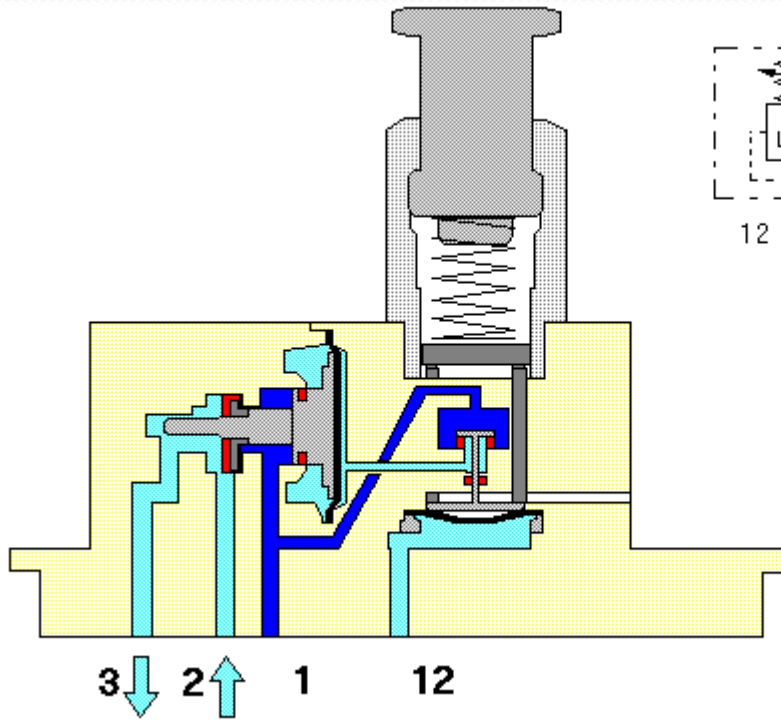
One Way Flow Cc



Adjustable Flow Control Valve



Pressure Regulating Valve



Delay Time Valve

